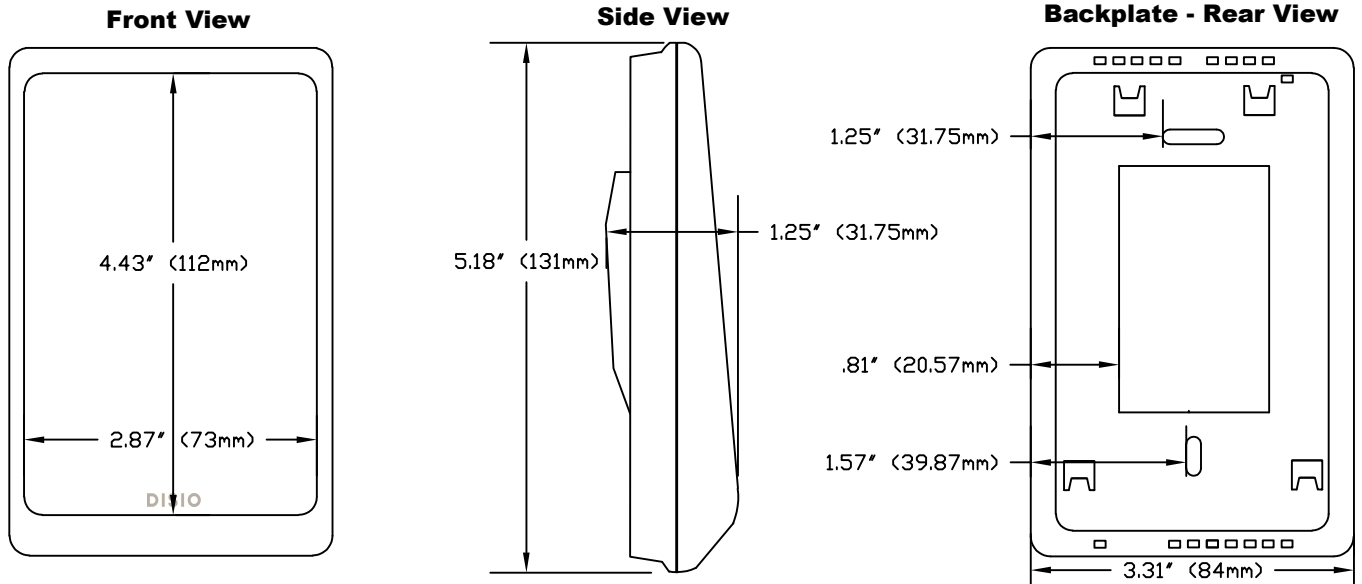


DISIO DISPLAY THERMOSTAT



POWER REQUIREMENTS:

24VAC ± 10 %, 47–63 Hz, 6VA (TERMINAL BLOCK CONNECTION)

AMBIENT RATINGS:

32 DEG F TO 122 DEG F (0 DEG C TO 50 DEG C), 10–90% Rh (NON-CONDENSING)

INPUTS:

[4] UNIVERSAL INPUTS:

BINARY INPUT – CONTACT CLOSURE

THERMISTOR INPUT (10k Ohm)

VOLTAGE INPUT (0–10 VDC)

CO2 SENSOR

PHOTOACOUSTIC DIGITAL CO2 SENSOR; 400 TO 1000ppm +/- 50ppm + 2.5% OF READING, 1001 TO 2000ppm +/- 50ppm + 3% OF READING, 2001 TO 5000ppm +/- 50ppm + 5% OF READING, SAMPLES EVERY 2min

RH SENSOR

DIGITAL RELATIVE HUMIDITY SENSOR; ACCURATE TO +/-5%RH OF MEASURED READING BETWEEN 10% to 90%RH, SAMPLES EVERY 500ms

OUTPUTS:

[4] UNIVERSAL OUTPUTS:

24 VAC ON/OFF – (0.5 AMPS MAX) – SWITCHED HOT (Default)

24 VAC FLOATING POINT MODULATION

0–10 VDC MODULATION (10 mA)

SCREEN:

BRIGHTNESS: ON, DIM, AND OFF

GLASS .07mm THICK, 113.9 x 73.2 mm

COMMUNICATION PORTS:

[1] USB C SERVICE PORT, DISIO SETUP CONNECTION

BACnet MS/TP PROTOCOL [HARDWIRED]

[1] 3-POSITION TERMINAL BLOCK [3-WIRE +, -, NET COM]

BAUD RATE: 9600, 19200, 38400, 76800 (DEFAULT)

WEIGHT: 0.4 LBS (181.4G)

ALL METRIC DIMENSIONS () ARE SOFT CONVERTED. IMPERIAL DIMENSIONS ARE CONVERTED TO METRIC AND ROUNDED TO THE NEAREST MILLIMETER.

PROJECT:		PRICE [®]
ENGINEER:		
CUSTOMER:		273364
SUBMITTAL DATE:	SPEC. SYMBOL:	2025/06/05
		DISIO DISPLAY CONTROLLING THERMOSTAT 7 SEGMENT DISPLAY BACNET COMPATIBLE